

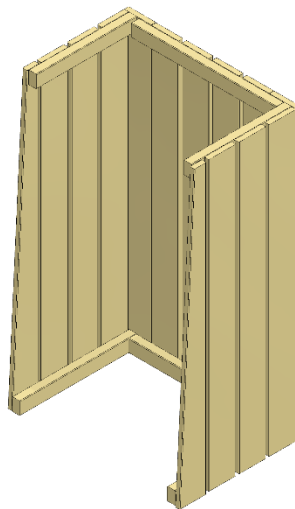
Assembly instructions

Item number: 240101, 240102

Package includes:

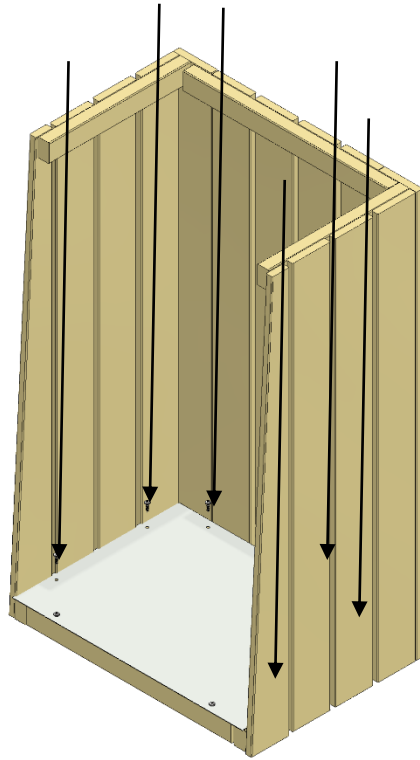
- Rear panel
 - Left side panel
 - Right side panel
 - Bottom plate
 - Front panel
 - Lid assembly
 - Bag lock bracket
 - Fasteners
-

1. Start with raising the rear panel upright. Fit the left and right side panel so that the angled board covers the joist of the back panel.

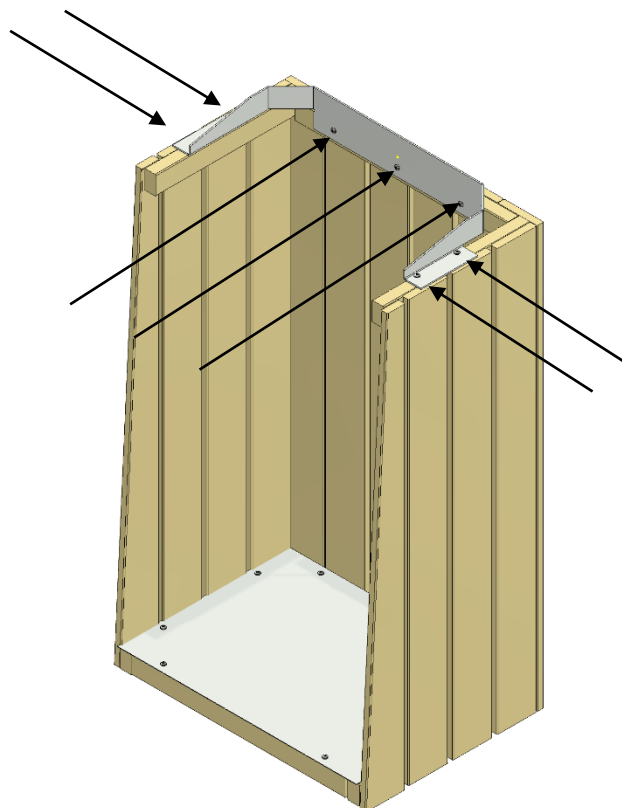


NOTE: The sloped board of the side panels should be facing forwards.

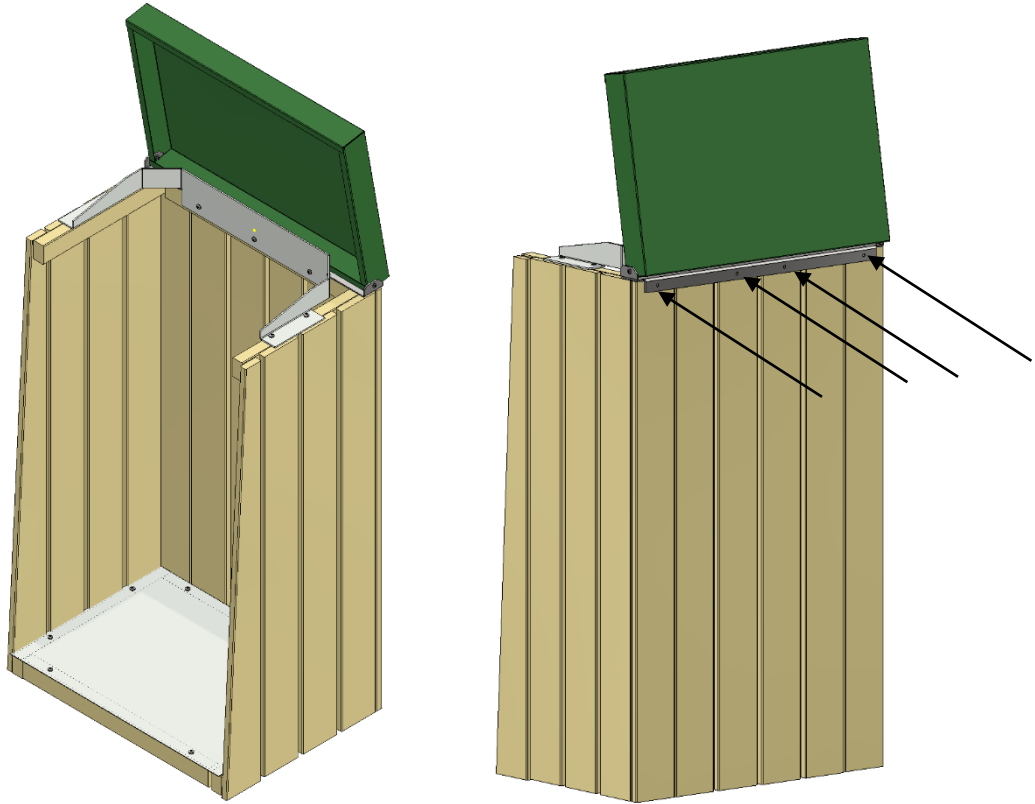
2. Mount the bottom plate on top of the lower joist of the rear, left and right-side panels. The joist fitted to the bottom plate should be facing forwards. Secure the bottom plate with 6 of the screws included.



3. Mount the bag lock bracket to the rear panel with screws provided.



4 Get the lid assembly and attach to the back side of the rear panel with screws provided.



5 Hook the front panel on to the brackets fitted on the right and left side panels.

